

BT8812E2

Audio Player Microcontroller

Versions: 0.0.1

2020/02/04

Declaration

Copyright © 2019, www.bluetrum.com.

All Rights Reserved. No Unauthorized Distribution.

Bluetrum reserves the right to make changes without further notice to any products herein to improve reliability, function or design.

For further information on the technology, product and business term, please contact Bluetrum Company.

For sales or technical support, please send email to the address:

Sales: sales@bluetrum.com

Technical: project@bluetrum.com

Revision History

Date	Version	Comments	Revised by
2020-02-04	0.0.1	First draft	Leo

Table of Contents

TABLE OF CONTENTS	3
1 PRODUCT FEATURES	4
2 PACKAGE DEFINITION	5
2.1 PIN ASSIGNMENT.....	5
2.2 PIN DESCRIPTIONS	6
3 CHARACTERISTICS	8
3.1 PMU PARAMETERS.....	8
3.2 IO PARAMETERS	8
3.3 AUDIO DAC PARAMETERS	9
3.4 AUDIO ADC PARAMETERS	9
3.5 BT PARAMETERS.....	9
3.6 CURRENT PARAMETERS	10
4 PACKAGE INFORMATION	11

1 Product Features

CPU and Flexible IO

- ✚ 32bit High performance CPU with DSP instruction
- ✚ Program memory: internal 2M bit flash
- ✚ Flexible GPIO pins with Programmable pull-up and pull-down resistors;
- ✚ Support GPIO wakeup or interrupt;

Bluetooth Radio

- ✚ Compliant to Bluetooth 5.0 specification (QDID: [115952](#));
- ✚ TX output power +2dBm in typical;
- ✚ RX Sensitivity with -90.5dBm @Basic Rate;

Audio Interface

- ✚ Audio codec with 16bit mono DAC and 16bit mono ADC;
- ✚ Support flexible audio EQ adjust;
- ✚ Support Sample rate 8, 11.025, 12, 16, 22.05, 32, 44.1 and 48KHz;
- ✚ Mono MIC amplifier input;
- ✚ High performance mono audio ADC with 90dB SNR;
- ✚ High performance mono audio DAC with 95dB SNR, with headphone amplifier output;

Peripheral and Interfaces

- ✚ Three 32-bit timers;
- ✚ One multi-function 32-bit timers, support Capture and PWM mode;
- ✚ WatchDog;
- ✚ Three full-duplex UART;
- ✚ Sixteen Channels 10-bit SARADC;
- ✚ Build in PMU, such as Charger/Buck/LDO;

Package

- ✚ QFN32L;

Temperature

- ✚ Operating temperature: -40°C to +85°C;
- ✚ Storage temperature: -65°C to +150°C ;

2 Package Definition

2.1 Pin Assignment

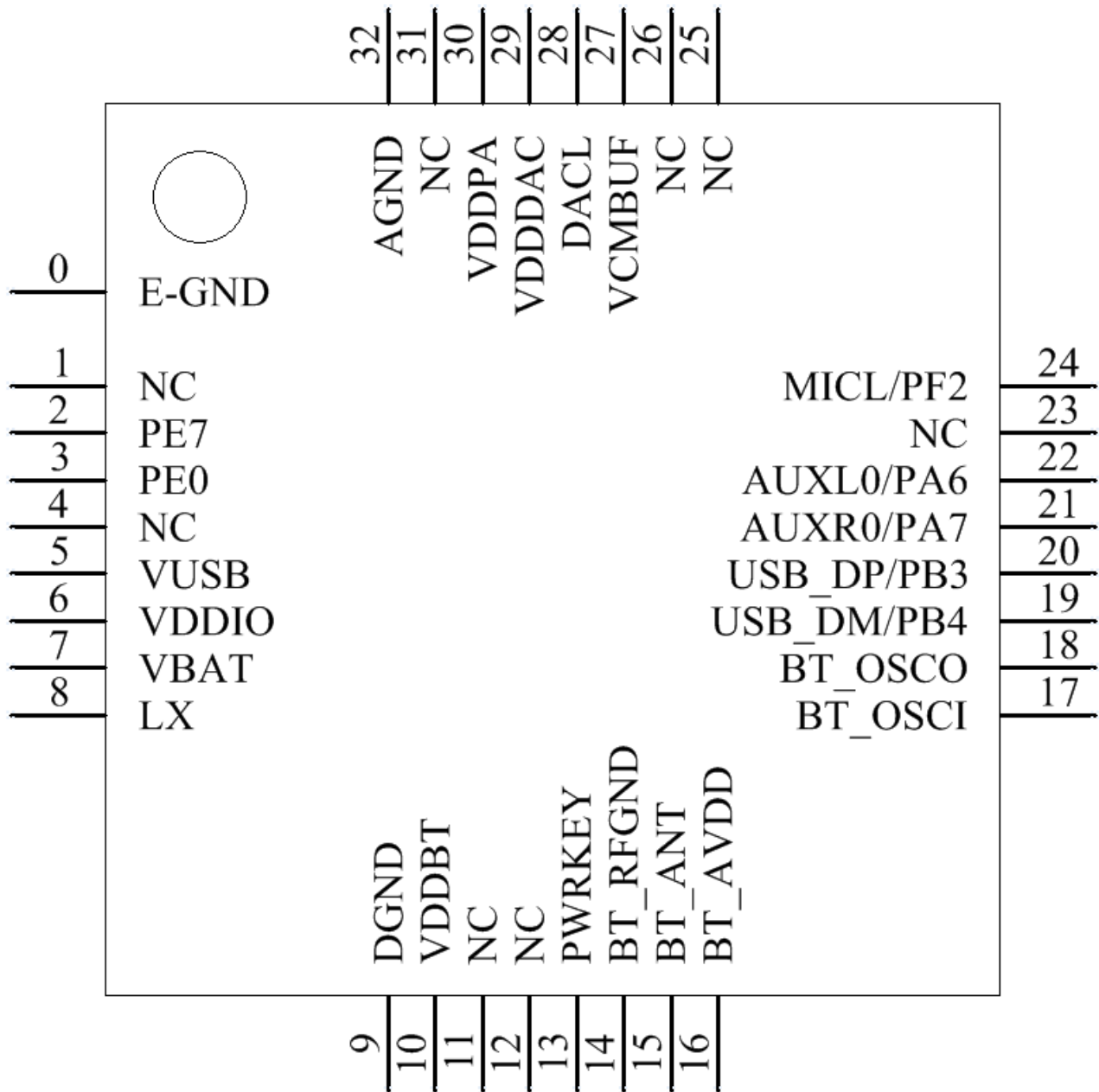


Figure 2-1 Pin assignment for QFN32L

2.2 Pin Descriptions

Table 2-1 QFN32L pin description

Pin No.	Name	Type	Function
0	E-GND	GND	E-Pad Ground
1	NC	-	-
2	PE7	I/O	ADC9 TX0-G4 HSTRX-G4 PE7
3	PE0	I/O	TX0-G6 PE0
4	NC	-	-
5	VUSB	PWR	VUSB power input
6	VDDIO	PWR	VDDIO power output
7	VBAT	PWR	VBAT power input
8	LX	PWR	Buck inductor connect pin
9	DGND	GND	Digital Ground
10	VDDBT	PWR	BT power
11	NC	-	-
12	NC	-	-
13	PWRKEY	A	Power key input
14	BT_RFGND	GND	BT RF Ground
15	BT_ANT	A	BT ANT
16	BT_AVDD	PWR	BT power
17	BT_OSCI	A	26M OSC input
18	BT_OSCO	A	26M OSC output
19	PB4	I/O	ADC6 SPI0CLK-G3 RX0-G3 HSTRX-G8 PB4
20	PB3	I/O	ADC5 SPI0DO-G3 TX0-G3 HSTRX-G3 PWM2-T3 PB3
21	AUXR0/PA7	I/O	ADC2 AUXR0 TX0-G1 TX1-G1 HSTRX-G1 PWM1-T3 PA7
22	AUXL0/PA6	I/O	ADC1 AUXL0 RX0-G1 RX1-G1 HSTRX-G6

			PWM0-T3 PA6
23	NC	-	-
24	MICL/PF2	I/O	ADC10 MIC TX0-G7 PF2
25	NC	-	-
26	NC	-	-
27	VCMBUF	A	VCM buffer output
28	DACL	A	DAC L
29	VDDDAC	PWR	DAC power output
30	VDDPA	PWR	PA power input
31	NC	-	-
32	AGND	GND	DAC Ground

Note: I/O: Digital input/output; I : Digital input; A : Analog Pin; PWR: Power Pin; GND: Ground.

3 Characteristics

3.1 PMU Parameters

Table 3-1 PMU voltage input Parameters

Sym	Characteristics	Min	Typ	Max	Unit	Conditions
VUSB	Charger Voltage input	3.0	5.0	5.5	V	
VBAT	Voltage input	3.0	3.7	5.0	V	

Table 3-2 3.3V LDO Parameters

Sym	Characteristics	Min	Typ	Max	Unit	Conditions
VDDIO	3.3V LDO voltage output	-	3.3	-	V	Light Loading condition
Δ VVDDIO	Output Mismatch 1-sigma	-	56	-	mV	VDDIO=3.3v
ILOAD	Maximum output current	-	-	150	mA	@VBAT=3.6v
ISC	Short Circuit Current Limit	-	-	300	mA	@VBAT=3.8v

Table 3-3 1.6V LDO Parameters

Sym	Characteristics	Min	Typ	Max	Unit	Conditions
VDDBT	1.6V LDO voltage output	-	1.6	-	V	Light Loading condition
Δ VVDDBT	Output Mismatch 1-sigma	-	27	-	mV	VDDBT=1.6v
ILOAD	Maximum output current	-	-	100	mA	@VBAT=3.0v
ISC	Short Circuit Current Limit	-	-	200	mA	@VBAT=3.8v

Table 3-4 1.2V LDO Parameters

Sym	Characteristics	Min	Typ	Max	Unit	Conditions
VDDCORE	1.2V LDO voltage output	-	1.2	-	V	Light Loading condition
Δ VVDDCORE	Output Mismatch 1-sigma	-	20	-	mV	VDDCORE=1.2v
ILOAD	Maximum output current	-	-	80	mA	@VBAT=3.6v
ISC	Short Circuit Current Limit	-	-	120	mA	@VBAT=3.8v

3.2 IO Parameters

Table 3-5 I/O Parameters

GPIO—Electrical Characteristics							
Symbol	Description	Related GPIO	Min	Typical	Max	Units	Conditions
V _{IL}	Low-level input voltage		-0.3		1.27	V	VDDIO=3.3V
V _{IH}	High-level input voltage		2.03		3.6	V	VDDIO=3.3V
Driver Ability 1	Output Driver Ability 1			32		mA	VDDIO=3.3V
Driver Ability 0	Output Driver Ability 0			8		mA	VDDIO=3.3V
R _{PUP0}	Internal pull-up resistor 0		8	10	12	K Ω	
R _{PUP1}	Internal pull-up resistor 1		0.24	0.3	0.36	K Ω	
R _{PUP2}	Internal pull-up resistor 2		160	200	240	K Ω	
R _{PDN0}	Internal pull-down resistor 0		8	10	12	K Ω	
R _{PDN1}	Internal pull-down resistor 1		0.24	0.3	0.36	K Ω	
R _{PDN2}	Internal pull-down resistor 2		160	200	240	K Ω	

3.3 Audio DAC Parameters

Table 3-6 Audio DAC Parameters

Sym	Characteristics	Min	Typ	Max	Unit	Conditions
SNR		-	96	-	dB	VCM cap=1uF VDDDAC cap=1uF with A-wt filter Output -3dBV Fin=1KHz
THD+N		-	-86	-	dB	VCM cap=1uF VDDDAC cap=1uF with A-wt filter Output -3dBV with 10K loading Fin=1KHz
Output Range	Maximum output voltage	-	2.6		V _{peak-peak}	32ohm Loading

3.4 Audio ADC Parameters

Table 3-7 Audio ADC Parameters

Sym	Characteristics	Min	Typ	Max	Unit	Conditions
SNR		-	90	-	dB	VCM cap=1uF VDDDAC cap=1uF with A-wt filter Input sine amplitude, 850mV RMS Fin=1KHz
THD+N		-	-87	-	dB	VCM cap=1uF VDDDAC cap=1uF with A-wt filter Input sine amplitude, 850mV RMS Fin=1KHz.
Input Range	Input sine wave peak amplitude	0		VCM	V	From aux input, aux 0db gain, VCM represent VCM voltage.

3.5 BT Parameters

Table 3-8 BT Parameters

Characteristics	Min	Typical	Max	Unit	Conditions
Maximum Transmit Power	-	-	7	dBm	
RMS DEVM	-	5.5	-	%	Maximum TX power 2-DH5 packet
Peak DEVM	-	12.5	-	%	
EDR Relative Transmit Power		-0.2		dB	
Sensitivity @ Basic Rate		-90.5		dBm	BER=0.1%, using DH5 packet
Sensitivity @ EDR		-89.5		dBm	BER=0.01%, using 2-DH5 packet

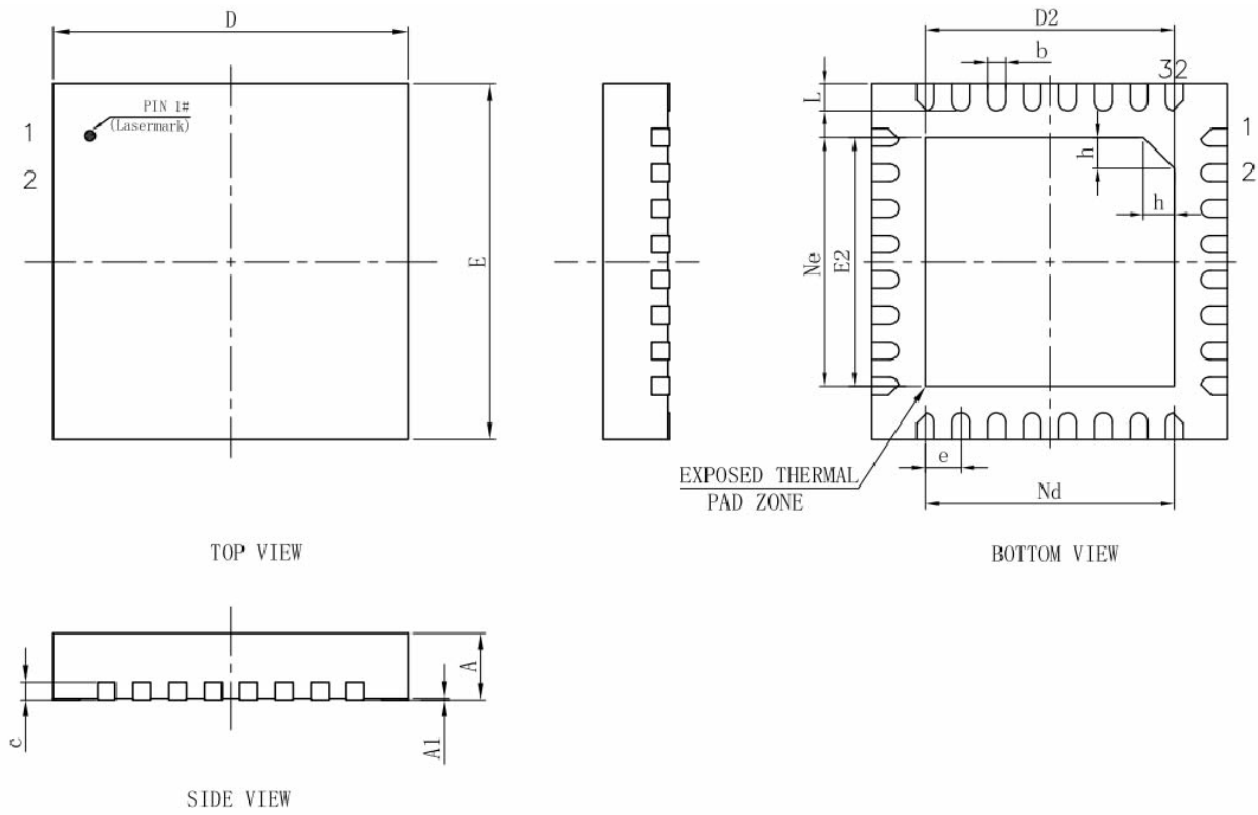
3.6 Current Parameters

Table 3-9 Current Parameters

Sym	Characteristics	Min	Typ	Max	Unit	Conditions
IRTC	RTC mode current	-	4	-	uA	4.2V input, room temp.
Sleep	Sleep current	-	500	2000	uA	3.3V input, room temp

4 Package Information

QFN4X4-32L(P0.4T0.75)



SYMBOL	MILLIMETER		
	MIN	NOM	MAX
A	0.70	0.75	0.80
A1	0	0.02	0.05
b	0.15	0.20	0.25
c	0.18	0.20	0.25
D	3.90	4.00	4.10
D2	2.70	2.80	2.90
e	0.40BSC		
Ne	2.80BSC		
Nd	2.80BSC		
E	3.90	4.00	4.10
E2	2.70	2.80	2.90
L	0.25	0.30	0.35
h	0.30	0.35	0.40
L/F载体尺寸	122X122		